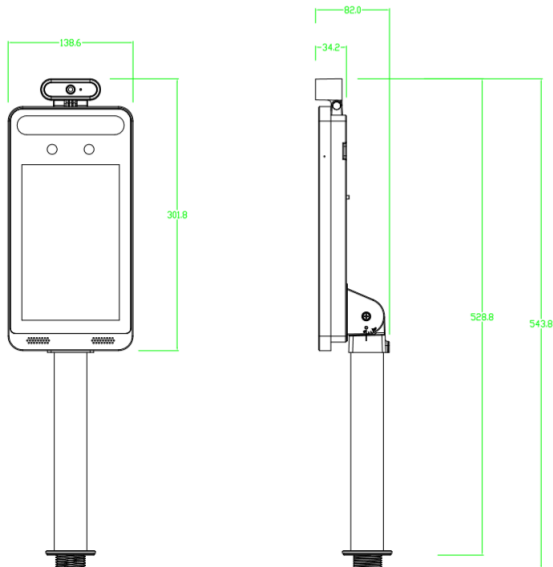


PAR-P2EMPTABLET

2MP HD Temperature Measurement & Face Recognition Terminal

Features

- 8 inch LCD screen
- High-accuracy IR body temperature measurement
- Non-contact body temperature measurement
- Human-sounding voice prompt
- Real-time face mask detection
- Face liveness detection technology distinguishing real faces from non-real face spoof attacks
- Highly accurate face recognition using deep learning algorithm
- Stand-alone device, ready for networking



Shown with optional pole mount

Ordering Information

PAR-P2EMPTABLET: 2 Megapixel Terminal

| | |
|----------------------------------|--|
| Performance | PAR-P2EMPTABLET |
| OS | Embedded Linux |
| Storage | 8Gb DDR3 + 16GB EMMC |
| Screen | |
| Display Screen | 8inch LCD screen; resolution: 1280x800; contrast: 500:1 |
| Brightness | 500 lux |
| Control Interface | I2C |
| Temperature Measurement | |
| Temperature Measuring Range | 89.6°~109.4° F (32°~43°C) |
| Accuracy | ± (.54°F) 0.3°C |
| Measuring Distance | 1Ft (0.3m) |
| Face Recognition | |
| Sensor | 1/2.7 |
| Lens | 2MP dual-lens, f=3.97mm @ F1.6 |
| Lens Mount | M12 |
| WDR | 120db |
| Height Range of Face Recognition | 3.93-7.21Ft (1.2m-2.2m) (the recommended installation height is 4.75ft/1.45m) |
| Face Recognition Distance | 0.98-6.56Ft (0.3m-2m) |
| Recognition Mode | Face: 1 N |
| Recognition Duration | ≤ 0.5 s per person |
| Face Capacity | 20,000 |
| Recognition Accuracy | 99.70% |
| Supplementary Light | |
| Fill-in Light | Soft white light, IR light |
| White Light Distance | 3.28-9.84Ft (1-3m) |
| Smart Linkage | |
| Screen Wakeup | Yes |
| Light Adjustment | Yes |
| Snapshot | Yes |
| Audio | |
| Two-way Talk | Yes (noise reduction and echo cancellation) |
| Audio Input | 1CH built-in MIC |
| Audio Output | Built-in speaker |
| Interface | |
| Network Interface | 10/100Mbps self-adaptive Ethernet port x1 |
| Alarm Input | 2CH |
| Alarm Output | 2 CH |
| Wiegand Interface | Wiegand input/output 26/34 |
| RS485 | RS485x1 (half duplex) |
| Door Lock Output | Relay output, NO/NC(optional), delay setting supported |
| SD Card Interface | 1 micro SD card slot, up to 128G |
| USB Interface | USB x1 |
| Anti-Tamper Interface | 1 button |
| Exit Button | 1 |
| Reset Button | 1 |
| Others | |
| Power | 12VDC@2.5A |
| Power Management | Screen sleep, screen protection |
| Power Consumption | <12W |
| Weight | Approx. 1.2KG |
| Installation | Wall Mounting Pole Mounting, Embedded Installation, Desktop |
| Protection | Surge Protection and Voltage Transient Protection |
| Certificate | CE, FCC |
| Environment Protection | Complies with Directive EU RoHS, WEEE(2012/19/EU), directive 94/62/EC and REACH(EC1907/2006) |
| Working Environment | 32°F~104°F (0°C~40°C) <95% (non-condensing) |
| Dimensions(mm) | 11.88x5.45x1.34 In (301.8x138.6x34.2mm) |